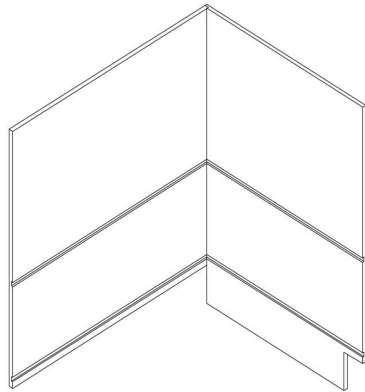
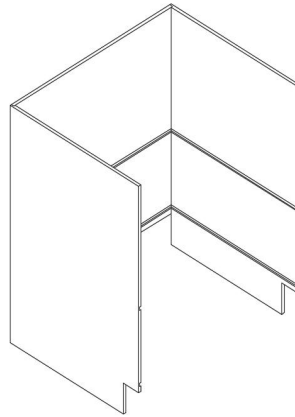


# BMC30

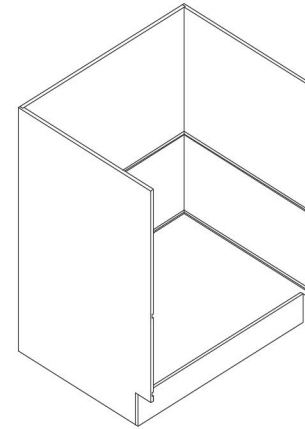
STEP:1



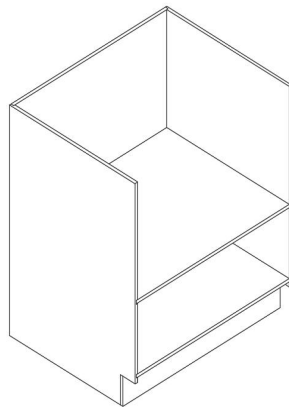
STEP:2



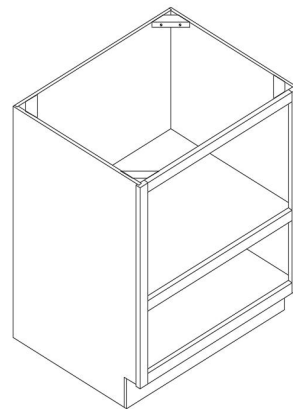
STEP:3



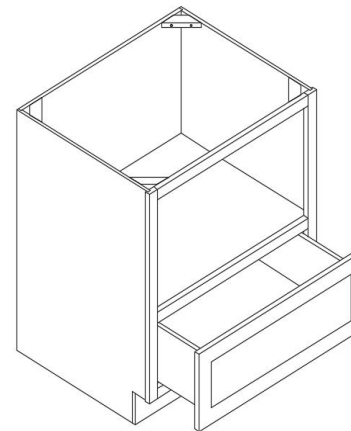
STEP:



STEP:5



STEP:6



DRAWER BOX

